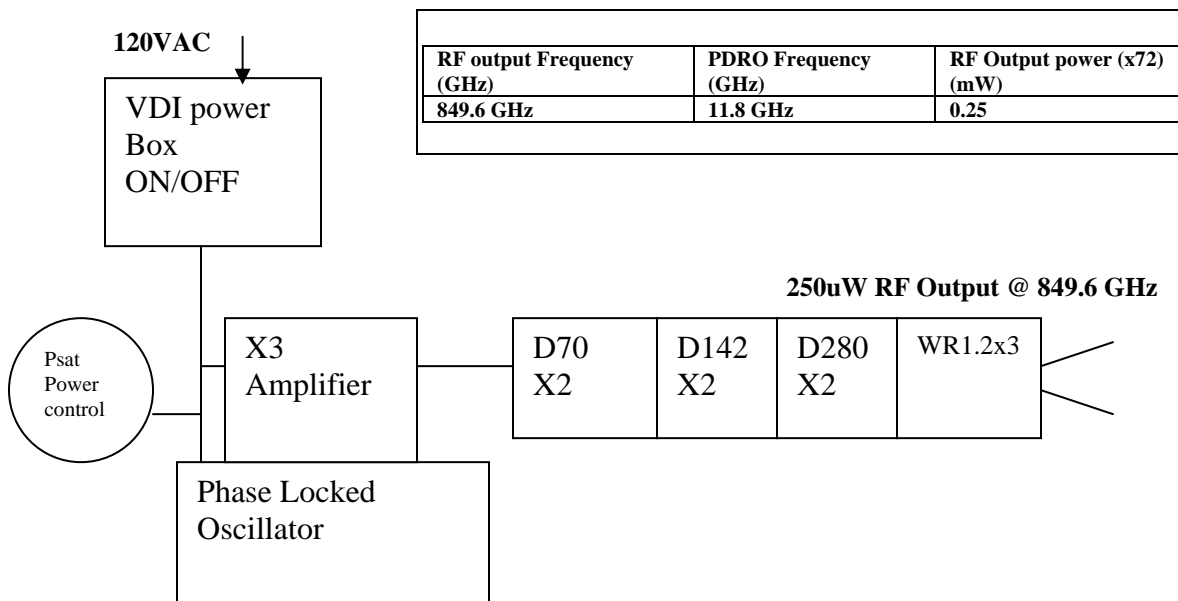


New 250uW, Phase Locked 850 GHz Turn-Key Source (x72)

January 2006

This VDI 850 GHz Phase locked source is an all-solid-state design that produces approximately 0-250 uW of CW RF output power. The customer simply plugs the DC power supply into the 120VAC wall socket and throws the power switch. CW output power can be controlled with a convenient 1-turn knob (0-250 uW). The system includes an integrated RF output feedhorn.



System Diagram and Photograph shown above

Contact VDI today for further information about this and other VDI products